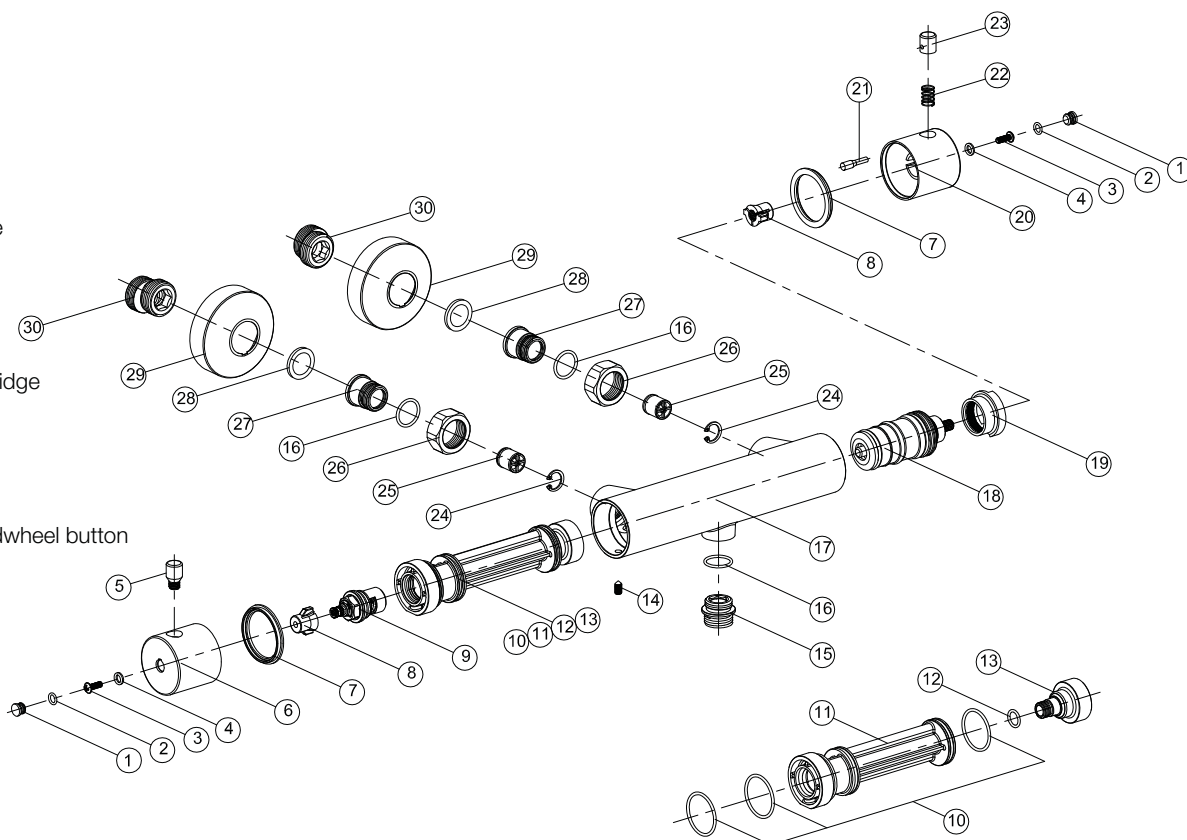


- 1 Handwheel cover
- 2 O ring
- 3 Screw
- 4 Spring washer
- 5 Shunt valve handle
- 6 Handwheel Flow
- 7 O ring
- 8 Drive gear
- 9 Cartridge
- 10 O ring
- 11 Body core
- 12 O ring
- 13 Thermostatic valve
- 14 Inner hex screw
- 15 Connector
- 16 O ring
- 17 Body
- 18 Thermostatic cartridge
- 19 TEMP limiting ring
- 20 Handwheel
- 21 Handwheel plug
- 22 Spring button
- 23 Thermostatic handwheel button
- 24 Washer
- 25 Check valve
- 26 Nut
- 27 Connector
- 28 Plane ring-sealing
- 29 Decoration cover
- 30 Connector



Steel Pleasure 1

Art no: 20000 RSK: 8344086

SCANDTAP®
BATHROOM CONCEPTS

Scandtap AB, Olofsdalsvägen 21, 302 41 Halmstad, Sweden
info@scandtap.com, www.scandtap.com

