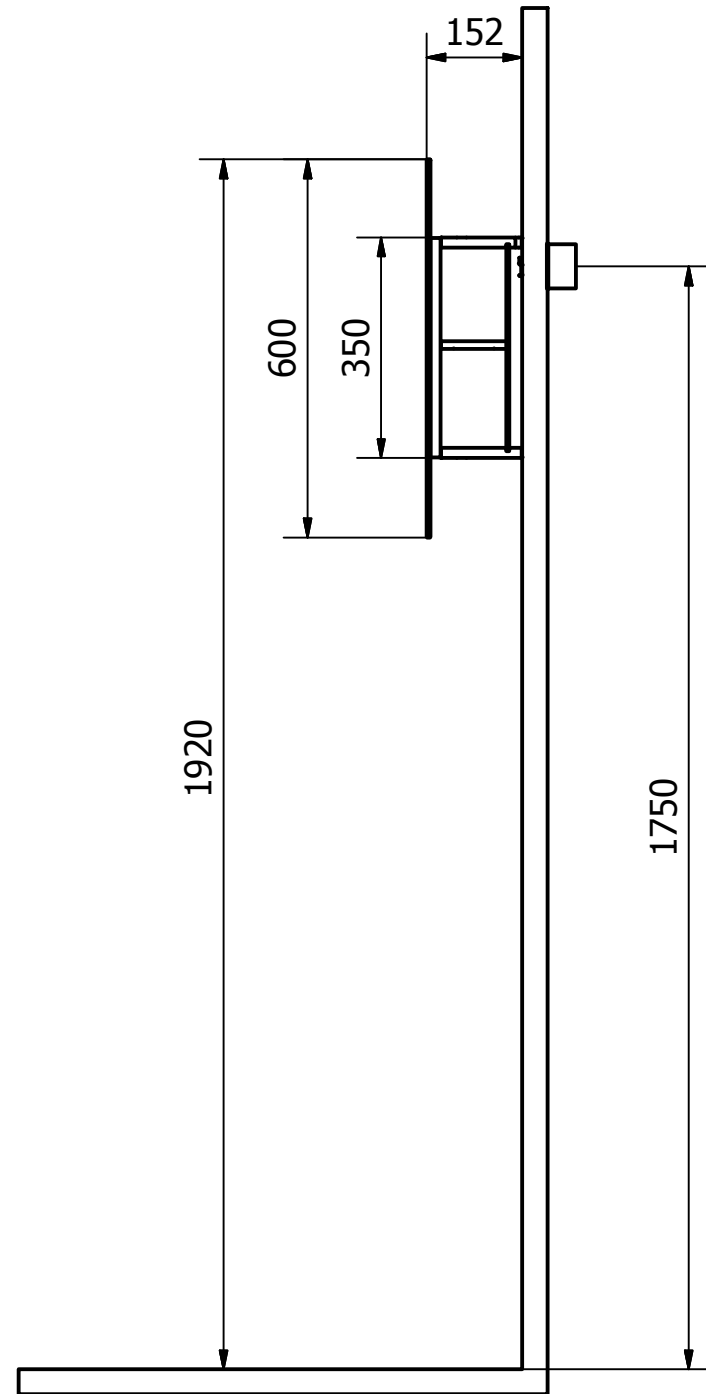
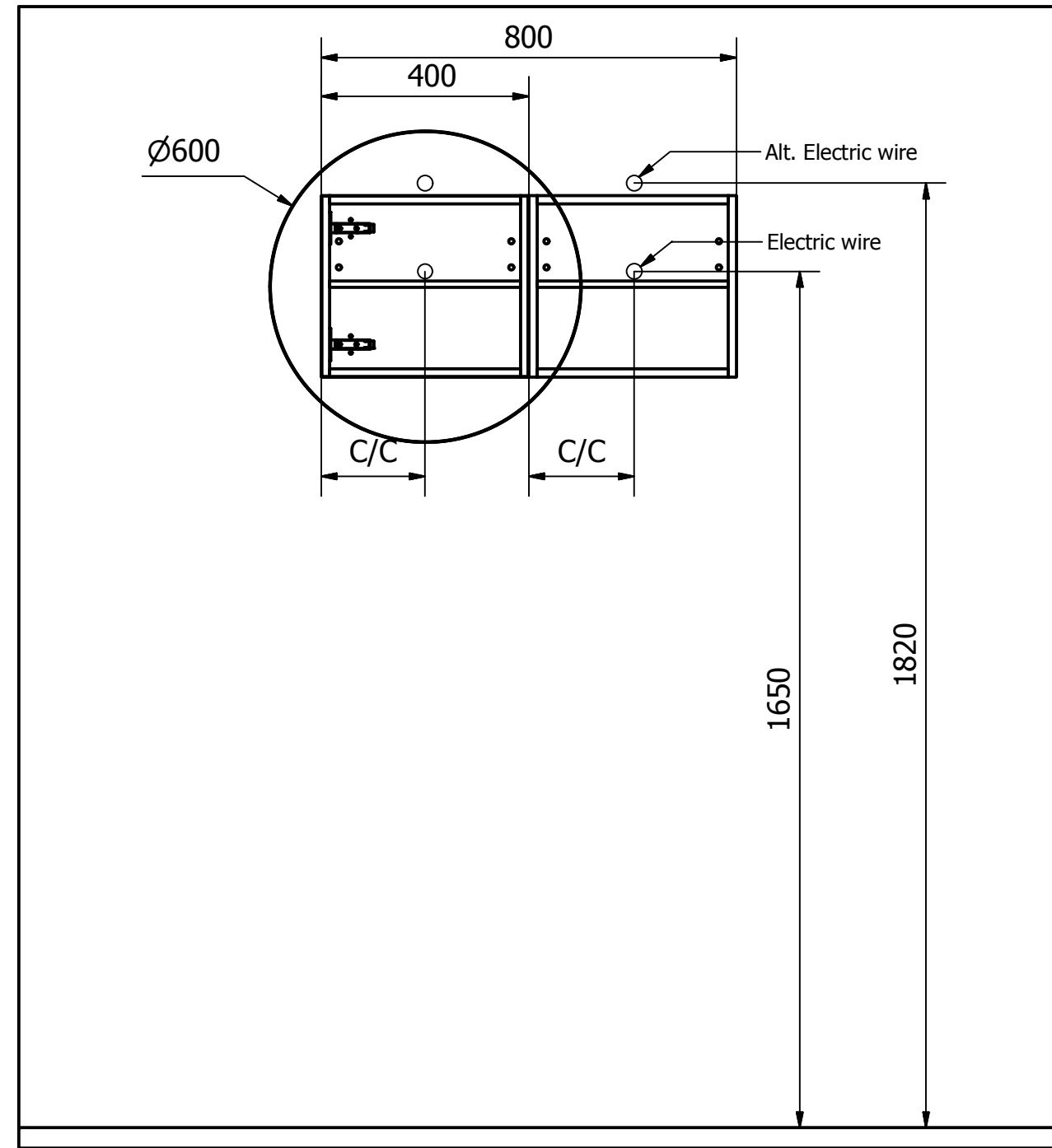


REV	DESCRIPTION	DATE	APPR.
1		2016-12-13	

C-C (1:12)



⊥-E



Material According to agreed specifications				A-surface -----		B-surface	
Designed by HEGU	Checked by	Approved by	Appr. Date	General tolerance ISO 2768 c	Weight N/A	Projection 	Scale 1:12
ICONIC NORDIC ROOMS INR			Title/Name Installationsmätt_Spegelskåp_Air		Sheet size A3		
			Drawing no./Article no.		Rev. 1	Sheet 1 / 1	

This document must not be copied without our written permission and the contents thereof must not be imparted to a third party nor be used for any unauthorized purpose. Contravention will be prosecuted.