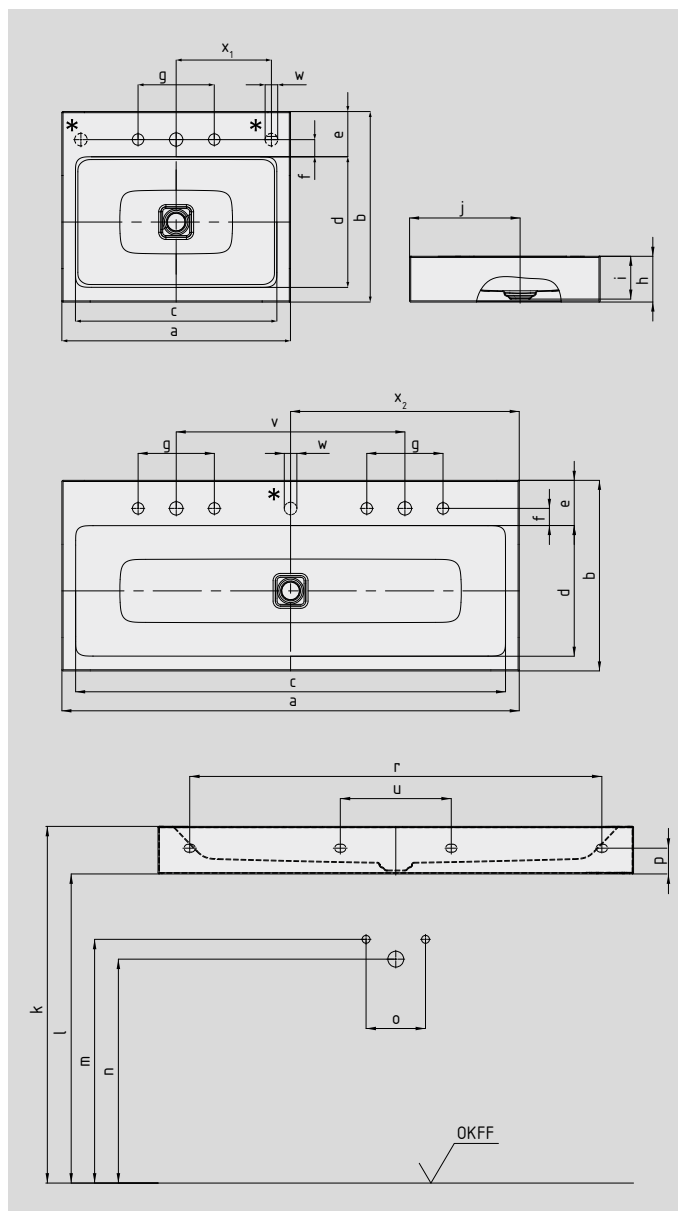


CONO WALL-HUNG WASHBASIN

- washbasin with premium character exudes elegance and harmony
- optimally integrated enamelled waste accentuates the underlying geometry of the washbasin
- unusually generous rim provides space for fittings or individual accessories
- perfectly complements the CONO range



Similar illustrations



* Control knob holes for CLOU waste and overflow system with cable operated pop-up waste and deck mounted control knob

| Model No. | | 3089 | 3090 | 3091 |
|---|----------------|---------|---------|------------|
| External length | a | 600 | 900 | 1200 mm |
| External width | b | 500 | 500 | 500 mm |
| Internal length | c | 532 | 832 | 1128 mm |
| Internal width | d | 348 | 348 | 343 mm |
| Depth of tap deck | e | 116 | 116 | 116 mm |
| Distance tap holes to edge | f | 45 | 45 | 45 mm |
| Distance of tap holes | g | 200 | 200 | 200 mm |
| Height of rim | h | 120 | 120 | 120 mm |
| Distance basin surface to bottom edge of waste hole | i | 112 | 112 | 112 mm |
| Distance rear edge to centre of waste hole | j | 290 | 290 | 290 mm |
| Distance FF*1 to top edge of basin surface | k | 820-850 | 820-850 | 820-850 mm |
| Distance FF*1 to bottom edge (washbasin) | l | 700-730 | 700-730 | 700-730 mm |
| Distance FF*1 to centre of water inlet | m | 570-600 | 570-600 | 570-600 mm |
| Distance FF*1 to centre of drain hole wall connection | n | 520-580 | 520-580 | 520-580 mm |
| Distance hot/cold water inlet | o | 80-150 | 80-150 | 80-150 mm |
| Distance bottom edge to centre of fixing hole | p | 65 | 65 | 65 mm |
| Outer distance of fixing holes*2 | r | | 780 | 1040 mm |
| Inner distance of fixing holes*2 | u | 280 | 280 | 280 mm |
| Distance of tap holes | v | - | - | 600 mm |
| Diameter of control knob hole | w | 33 | 33 | 33 mm |
| Distance of tap hole to centre of control knob hole | x ₁ | 250 | 275 | mm |
| Distance from centre of control knob hole to outer edge | x ₂ | | | 600 mm |
| Weight of the enamelled washbasin in kg | | 15,0 | 19,7 | 24,8 |

*1 Finished floor level.

*2 Check the recommended number of fixing holes before purchasing the fittings (varies depending on size of washbasin). Subject to technical alterations, tolerances and errors. Similar illustrations.

KALDEWEI