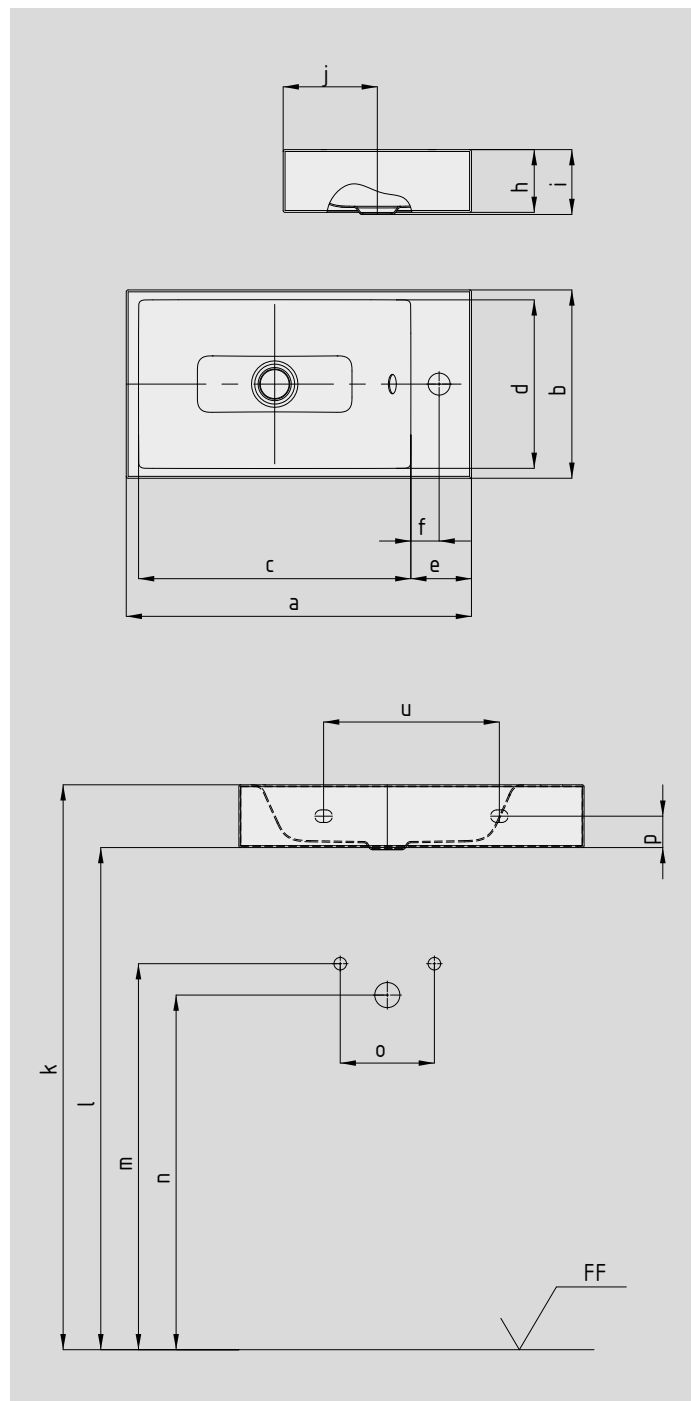


# PURO WALL-MOUNTED WASHBASIN

- elegant rectangular washbasin in a classically minimalist design
- reduced precise edges
- very generous interior dimensions
- clean and timeless lines - immortalised in long-lasting KALDEWEI steel enamel
- harmonises perfectly with the PURO bath series
- designed by Anke Salomon



Similar illustrations



| Model No.   |   | 3162       |
|---|---|------------|
| External length                                       | a | 550 mm     |
| External width  | b | 300 mm     |
| Internal length                                       | c | 434 mm     |
| Internal width  | d | 269 mm     |
| Depth of tap deck                                     | e | 96,5 mm    |
| Distance tap holes to edge                            | f | 45 mm      |
| Distance of tap holes                                 | g | 200 mm     |
| Height of rim   | h | 100 mm     |
| Distance basin surface to bottom edge of waste hole   | i | 103 mm     |
| Distance rear edge to centre of waste hole            | j | 267,5 mm   |
| Distance FF*1 to top edge of basin surface            | k | 820-850 mm |
| Distance FF*1 to bottom edge (washbasin)              | l | 700-730 mm |
| Distance FF*1 to centre of water inlet                | m | 520-580 mm |
| Distance FF*1 to centre of drain hole wall connection | n | 570-600 mm |
| Distance hot/cold water inlet                         | o | 80-150 mm  |
| Distance bottom edge to centre of fixing hole         | p | 50 mm      |
| Inner distance of fixing holes*2                      | u | 280 mm     |
| Weight of the enamelled washbasin in kg               |   | 10,2       |

\*1 Finished floor level.

\*2 Check the recommended number of fixing holes before purchasing the fittings (varies depending on size of washbasin). Subject to technical alterations, tolerances and errors. Similar illustrations.

**KALDEWEI**