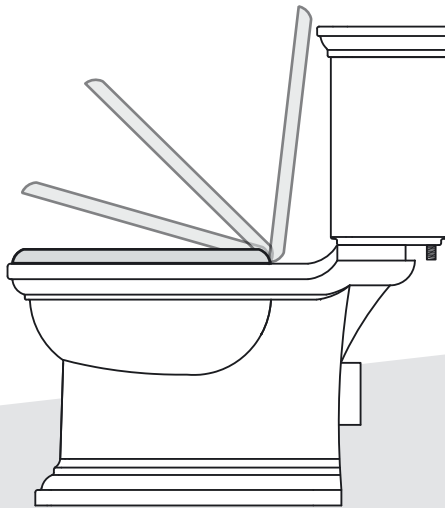


IMPERIAL

Toilet Seat Installation Instructions



Important Information:

Please check the products for transport damage and that contents are complete before installation. Consult a qualified plumber if you have any problems installing this product. Complaints made following installation regarding the above cannot be accepted.

Assembly Instructions

Soft Close Seat Installation

Fixings included:



SPRING TOGGLE CLIP (x2)



TOP SHROUD (x2)



FIXING BRACKET (x2)



LARGE ALLEN

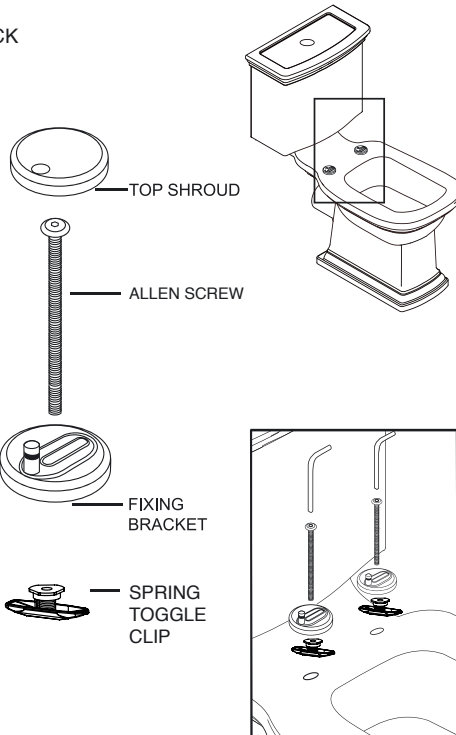
SMALL ALLEN KEY



ALLEN SCREW (x2) (7cm)

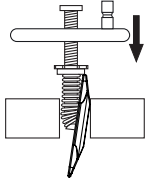
TOP FIX PACK

TO BE USED ON BACK
TO WALL PANS AND
STANDARD PANS

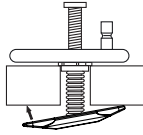


Install the fixings as shown above. Do not tighten fully at this point. Adjustability is required at this stage in order to position the seat in the following steps

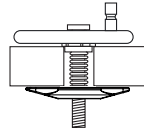
How to install the seat using spring toggle clip



Fix the allen screw into the toggle collar and push through the hole on the top of the toilet pan.

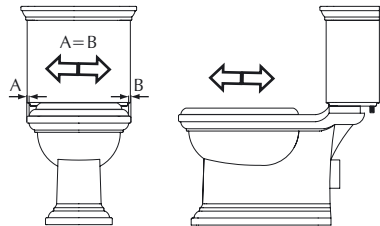


Push the allen screw until the spring loaded bar flips over.



Tighten the allen screw with the allen key provided to secure the top fixing bracket to the pan.

⚠️ Need to make sure that the area is clean and free from grease.
Place the seat onto the fixings and adjust until the seat is located in a satisfactory position.

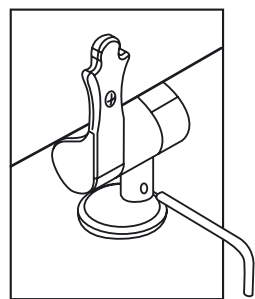
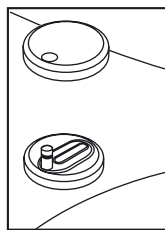
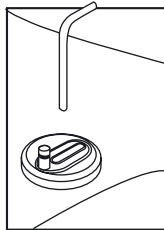


Carefully remove the seat, tighten the allen screw fixings & replace the cap cover.

NOTE: It is important to tighten the fixings fully.

When installing turn the hex key until it is not possible to tighten any further.

Failure to tighten fully may result in hinge movement and eventual hinge failure over a period of prolonged usage.



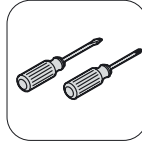
Replace the seat and using the small hex key tighten the grub screws to fully secure the seat into position.

✓ This completes your assembly of the soft-close hinge.

Assembly Instructions

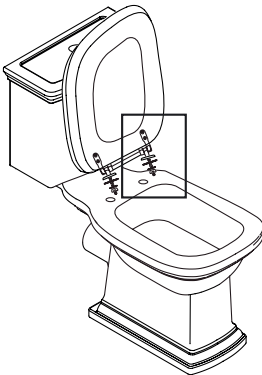
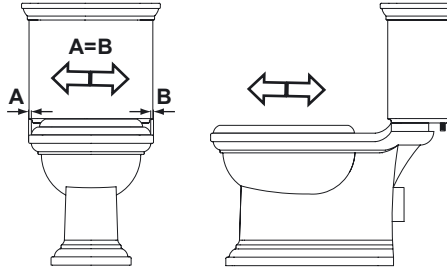
Standard Hinge Seat Installations

Tools required for installation:

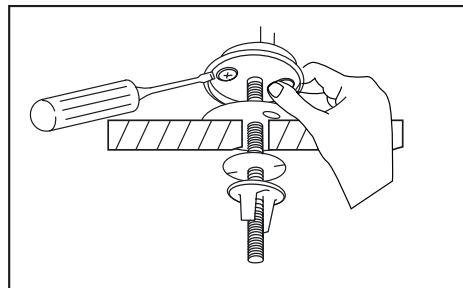
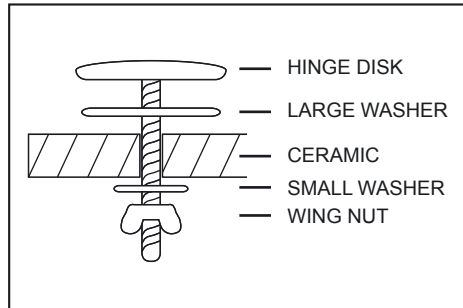


⚠ NOTE: It is important to tighten the fixings fully.

Place the seat onto the fixings and adjust until the seat is located in a satisfactory position.



To adjust the seat loosen screw on underside of hinge disc and adjust seat accordingly. Once happy with positioning retighten screw and assemble the seat onto the WC pan.



✓ This completes your assembly of the standard hinge.

INSTALLER, PLEASE DO NOT REMOVE FROM SEAT, THIS IS FOR THE END CUSTOMER CARE OF YOUR HANDMADE SEAT

Thank you for purchasing your Imperial toilet seat.

You have just acquired a high quality and expensive piece of furniture and are about to put it in the most hostile environment in the house! We have been producing these fine seats for many years and our experience is that they will give years of pleasurable service if a few simple measure are taken to look after them.

- You should inspect your seat regularly and apply a good quality wax polish from time to time.
- Always use your best efforts to keep your seat clean and dry. The finish will deteriorate and the underlying timber could become permanently stained, if subjected to long term contact with urine or water.
- Check the underside of the ring regularly and keep wiped clean and dry. If this is a problem that persists, you should take steps to prevent it.
- It is possible that the cause is the WC “over flushing” and splashing the underside of the seat. You may need to consult a plumber to have a reducing cone fitted to the bottom of the flush pipe to stop this. This only applies to low or high level flush settings.
- It is also recommended that you always lift the seat when cleaning the lavatory bowl. Constant knocking of the seat, with a brush, will damage the finish, as could the chemicals used to clean the china.
- Leave the seat up if you leave chemicals in the WC bowl overnight.
- It is recommended that you do not sit or stand on the lid of your seat, as the fittings, being made of brass, are malleable and may become damaged. Also the stoppers on the underside of the lid may cause damage to the top side of the seat.
- Exposing your seat to large and rapid changes in temperature or humidity could result in splitting or warping of the timber. Be careful of radiators close to your seat.
- On seats that are “natural”, i.e Unstained, you may find that joined boards are of slightly different colour and there could be differences in fading from where the seats have been stacked etc. This is perfectly natural and as the timber ages and matures, the seat will darken and take on an even appearance.

Cleaning and Care Instructions

1. To clean use a damp cloth only.
2. Do not use any neat chemicals and under no circumstances use any form of acid or alkaline cleaners (such as lime-scale removers) as these will damage the plating on the metalwork.
3. To polish, most proprietary furniture polishes are suitable. From time to time a good quality wax can be used to bring out the full shine in your seat.
4. Abrasive creams and powders are definitely unsuitable and should be avoided, as should scourers.
5. Fittings (often a chrome finish) should be regularly cleaned with a damp cloth, disinfectant and furniture polish. Avoid using any abrasive metal polishes or chemical cleaners as these may badly damage the finish.
6. Car chrome cleaners should only be used on chrome plated fittings - and then sparingly.

IMPERIAL

The Imperial Bathroom Company Limited
England

www.imperial-bathrooms.co.uk

Tel: +44 (0)1922 743074 Fax: +44 (0)1922 743180

Email: sales@imperial-bathrooms.co.uk