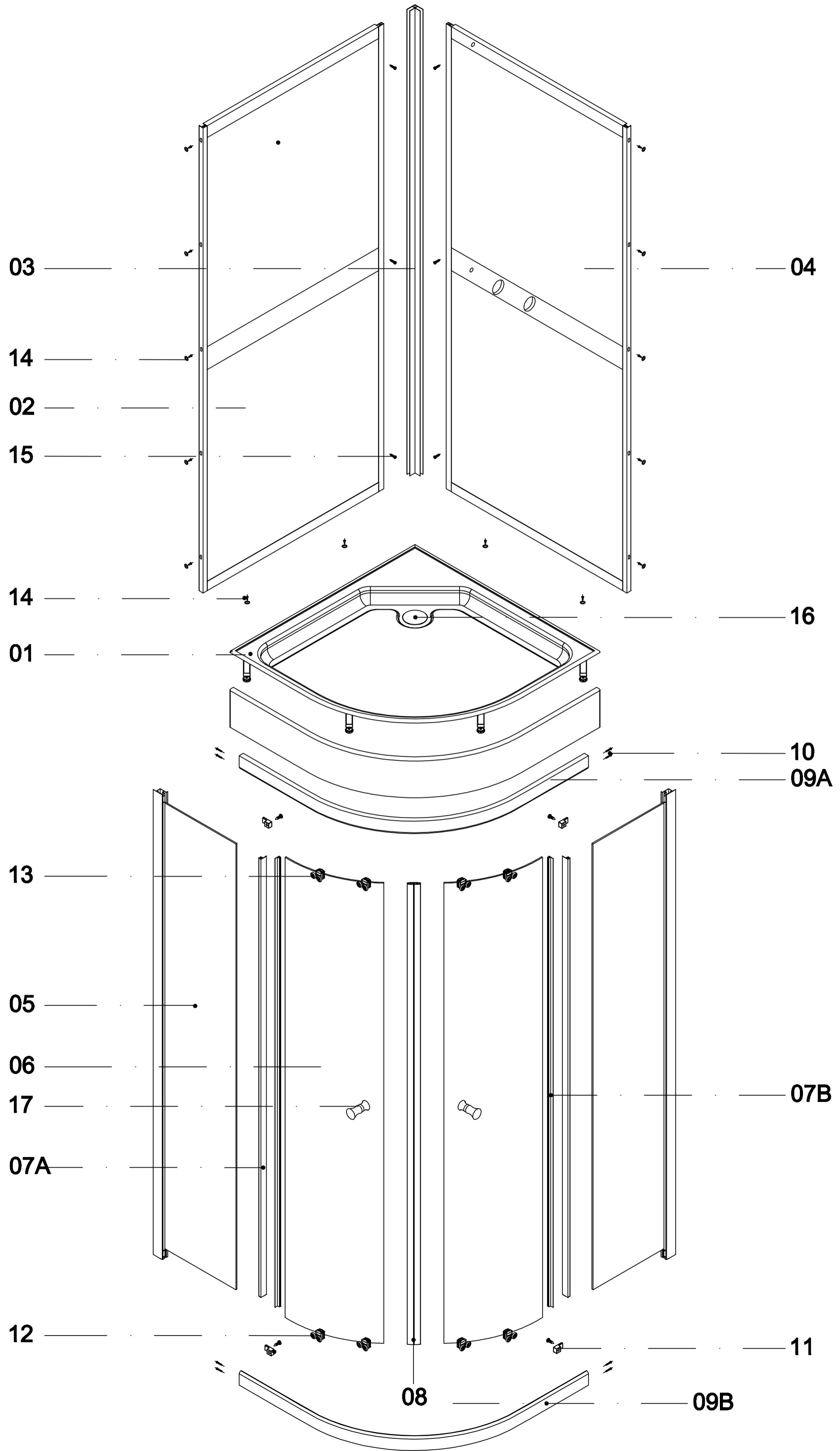


# PRODUCT EXPLOSION FIGURE



# INSTALLATION ACCESSORIES LIST

